

## WATERBARRIER® TECHNOLOGY

WaterBarrier combines a medium density overlay (MDO) over the exterior surface of the door with PVC glazing beads for an exterior that's not only resistant to moisture, but provides a beautiful surface for paint. And when combined with any wood species on the inside, you can match your interior woodwork and keep the warmth and natural beauty that wood provides.

### PROVEN TRACK RECORD OF PERFORMANCE

- The overlay in WaterBarrier technology is commonly used for street signs and concrete forms
- Minimizes the possibility of stile and rail separation
- Excellent durability and resists moisture absorption
- 5-year warranty, no overhang required

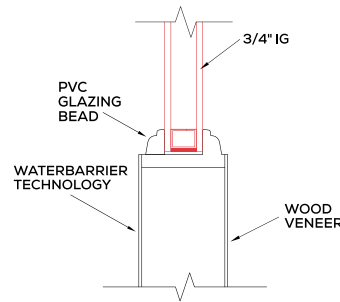
### FLEXIBLE DESIGN OPTIONS

- Can be ordered in virtually any door design for a variety of exterior applications, including entry, side and patio doors
- Available for use with any wood species
- Overlay has thermoset acrylic latex primer topcoat, resulting in superior paint application

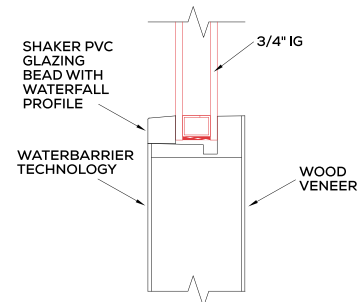
All doors with WaterBarrier come standard with UltraBlock® technology and our Weather Seal™ process at stile and rail joints.



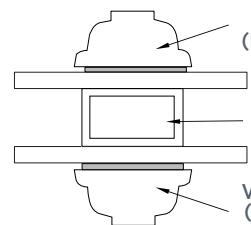
**STANDARD OVOLO PROFILE WITH WATERBARRIER® TECHNOLOGY**



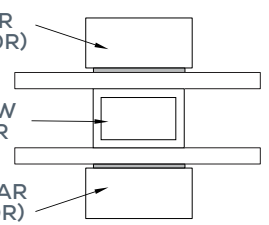
**OPTIONAL SHAKER PROFILE WITH WATERBARRIER® TECHNOLOGY**



**STANDARD OVOLO BAR PROFILE**

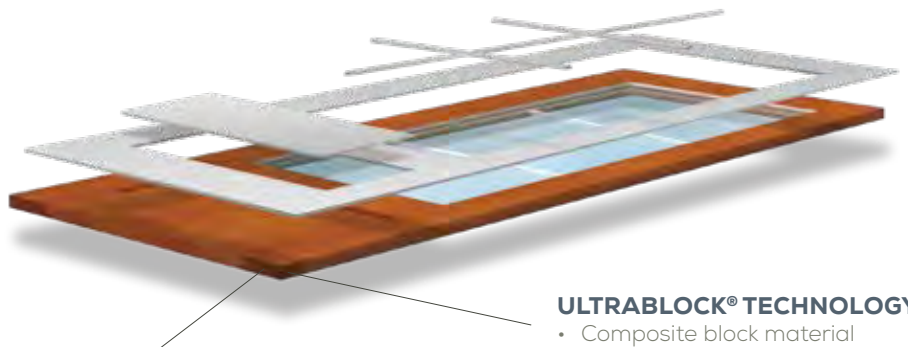


**OPTIONAL SHAKER BAR PROFILE**



### WATERBARRIER® TECHNOLOGY (PATENT PENDING)

- Primed medium density overlay on all flat surfaces
- PVC glazing bead on exterior side
- PVC bars on exterior side
- Wood bars on interior side



### WEATHER SEAL™ PROCESS

- Entire stile and rail joints coated and bonded to decrease the possibility of water infiltration

### ULTRABLOCK® TECHNOLOGY

- Composite block material finger-jointed into the bottom of the stiles